



# **Georgia State Amendments to the International Residential Code for One- and Two- Family Dwellings**

**(2006 Edition)**



Georgia Department of Community Affairs  
Local Government Assistance Division  
60 Executive Park South, N.E.  
Atlanta, Georgia 30329-2231  
(404) 679-3118  
[www.dca.ga.gov](http://www.dca.ga.gov)

**Revised January 1, 2012**

**GEORGIA STATE MINIMUM STANDARD  
ONE AND TWO FAMILY DWELLING CODE  
(INTERNATIONAL RESIDENTIAL CODE FOR  
ONE- AND TWO-FAMILY DWELLINGS  
WITH GEORGIA STATE AMENDMENTS)**

The **INTERNATIONAL RESIDENTIAL CODE FOR ONE- AND TWO-FAMILY DWELLINGS**, 2006 Edition, published by the International Code Council, when used in conjunction with these Georgia State Amendments and all other Georgia State Amendments to the **INTERNATIONAL RESIDENTIAL CODE FOR ONE- AND TWO-FAMILY DWELLINGS**, 2006 Edition, shall constitute the official *Georgia State Minimum Standard One and Two Family Dwelling Code*.

Part IV, Energy Conservation (Chapter 11), is deleted from the **INTERNATIONAL RESIDENTIAL CODE FOR ONE- AND TWO-FAMILY DWELLINGS**. Substitute all references to Chapter 11 **ENERGY EFFICIENCY** with references to the *Georgia State Minimum Standard Energy Code (IECC with Georgia State Supplements and Amendments)*.

Part VII, Plumbing (Chapters 25 through 32), is deleted from the **INTERNATIONAL RESIDENTIAL CODE FOR ONE- AND TWO-FAMILY DWELLINGS**. Substitute for plumbing requirements the *Georgia State Minimum Standard Plumbing Code (International Plumbing Code with Georgia State Amendments)*.

Part VIII, Electrical (Chapters 33 through 42), is deleted from the **INTERNATIONAL RESIDENTIAL CODE FOR ONE- AND TWO-FAMILY DWELLINGS**. Substitute for electrical requirements the *Georgia State Minimum Standard Electrical Code (National Electrical Code with any Georgia State Amendments)*.

**GEORGIA STATE AMENDMENTS**

**CODE REFERENCE:**

- (a) Replace all references to the ICC *Electrical Code* with references to the *Georgia State Minimum Standard Electrical Code (National Electrical Code with any Georgia State Amendments)*.
- (b) Replace all references to the *International Energy Conservation Code (IECC)* with references to the *Georgia State Minimum Standard Energy Code (IECC with Georgia State Supplements and Amendments)*. The *Georgia State Minimum Standard Energy Code* shall be used for heating and air conditioning equipment.

**SCOPE:**

The provisions of the *Georgia State Minimum Standard One- and Two-Family Dwelling Code* shall apply to the construction, alteration, movement, enlargement, replacement, repair, equipment, use and occupancy, location, maintenance, removal and demolition of detached one-

and two-family dwellings and multiple single-family dwellings (townhouses) not more than three stories in height with separate means of egress and their accessory structures.

## **APPENDICES:**

Appendices are not enforceable unless they are specifically referenced in the body of the code or adopted by the Department of Community Affairs or the authority having jurisdiction.

### **GEORGIA STATE MINIMUM REQUIREMENTS FOR BOILERS/WATER HEATERS AND PRESSURE VESSELS**

The State's minimum requirements for boilers/water heaters and pressure vessels over 200,000 BTU/h (58.61 kW), 210 degrees Fahrenheit or 120 gallons capacity shall be established by O.C.G.A. Title 34, Chapter 11 and the Rules and Regulations of the Georgia Department of Labor.

*\*Revise the International Residential Code for One- and Two-Family Dwellings, 2006 Edition, as follows:*

#### **CHAPTER 14 HEATING AND COOLING EQUIPMENT**

##### **SECTION M1411 HEATING AND COOLING EQUIPMENT**

\*Revise Section M1411.3.2 'Drain pipe materials and sizes' to add exception as follows:

#### **Drain pipe materials and sizes.**

**Exception:** If an approved condensate pump is used, the condensate line must be sized according to the manufacturer's instructions.

(Effective January 1, 2012)

#### **CHAPTER 24 FUEL GAS**

##### **SECTION G2411 (310) ELECTRICAL BONDING**

\*Revise 2008 GA Amendment to Section G2411.1.1 'Bonding corrugated stainless steel tubing (CSST)' to add exception as follows:

#### **G2411.1.1 Bonding corrugated stainless steel tubing (CSST).**

**Exception:** CSST which has been tested and shown to be resistant to damage from lightning energy shall be bonded in accordance with the National Electrical Code NFPA 70 and the CSST manufacturer's installation instructions.

(Effective January 1, 2012)

**SECTION G2415 (404)**  
**PIPING SYSTEM INSTALLATION**

\*Revise Section G2415.8 (404.8) ‘Protection against corrosion’ to read as follows:

**G2415.8 (404.8) Protection against corrosion.** Metallic pipe or tubing exposed to corrosive action, such as soil condition or moisture, shall be protected in an approved manner. Ferrous metal exposed in exterior locations shall be protected from corrosion in a manner satisfactory to the code official. Where dissimilar metals are joined underground, an insulating coupling or fitting shall be used. Piping shall not be laid in contact with cinders.

(Effective January 1, 2012)

**SECTION G2417 (406)**  
**INSPECTION, TESTING AND PURGING**

\*Rename and revise Section G2417.6.2 (406.6.2) ‘Before turning gas on’ to read as follows:

**G2417.6.2 (406.6.2) Turning gas on.** When turning gas on into a system of new gas piping, the entire system shall be inspected to determine that there are no open fittings or ends and that all valves at unused outlets are closed and plugged or capped.

(Effective January 1, 2012)

**SECTION G2419 (408)**  
**DRIPS AND SLOPED PIPING**

\*Delete 2007 GA Amendment to Section G2419.4 (408.4) ‘Sediment trap’.

\*Revise Section G2419.4 (408.4) ‘Sediment trap’ to read as follows:

**G2419.4 (408.4) Sediment trap.** Where a sediment trap is not incorporated as part of the appliance, a sediment trap shall be installed downstream of the appliance shutoff valve as close to the inlet of the appliance as practical. The sediment trap shall be either a tee fitting having a capped nipple of any length installed vertically in the bottommost opening of the tee as illustrated in Figure G2419.4 or other device approved as an effective sediment trap. Illuminating appliances, ranges, clothes dryers, decorative vented appliances for installation in vented fireplaces, gas fireplaces, and outdoor grills need not be so equipped.

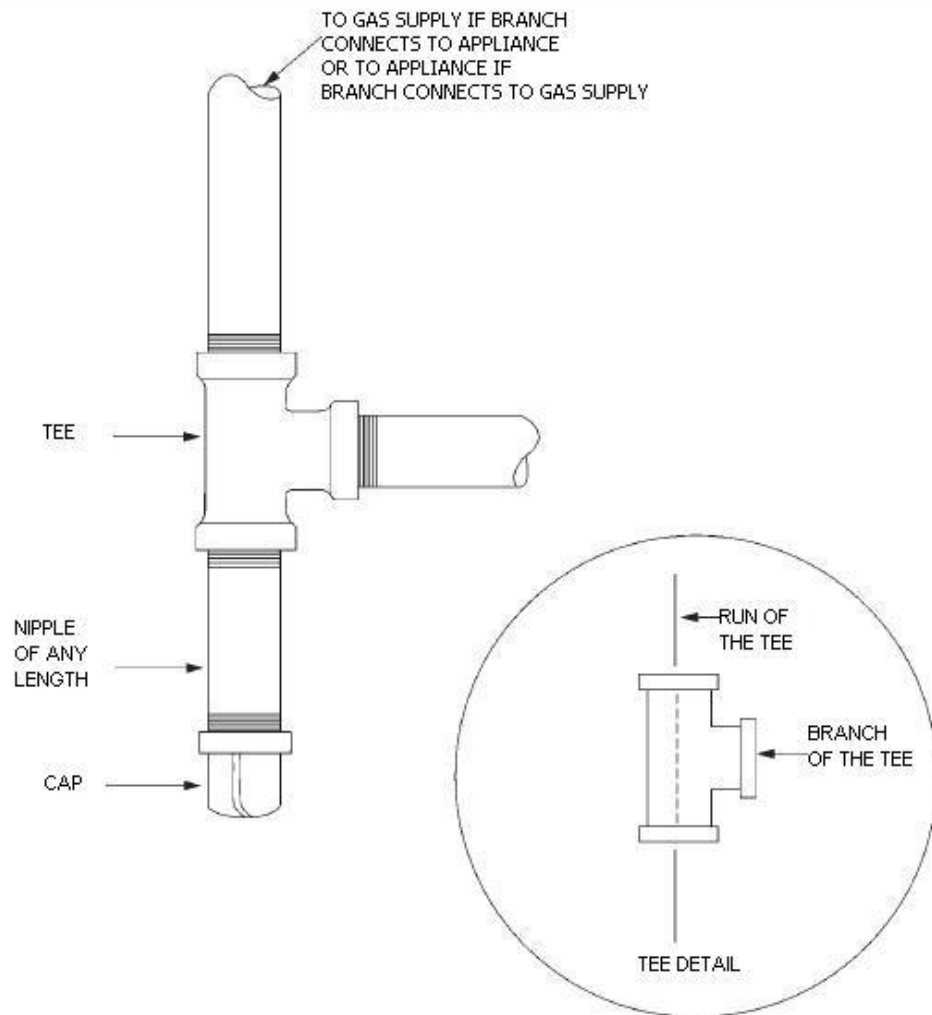
(Effective January 1, 2012)

\*Add new Figure G2419.4 ‘SEDIMENT TRAP’.

See figure on next page.

(Effective January 1, 2012)

**End of Amendments.**



**FIGURE G2419.4  
SEDIMENT TRAP**